

- Bed frame comes preassembled — Make sure that frame can be carried into space prior to ordering.
- Mattresses are included and will be delivered on the same day as the installation.
- Includes 8 inch coil Therapeutic Ortho Comfort Elite mattress from American Mattress.
- Customer supplied mattresses may not exceed 8 inch thickness. Full mattress must not exceed 48 lbs. Queen must not exceed 61 lbs. Tempurpedic mattresses are not recommended due to exceeding weight capacity.
- Full and Queen Wall Beds have two cabinet doors.
- Baseboards will be cut out during installation to allow the panels to sit flush to the wall.
- Requires 16 inch deep minimum.
- Additional shelving can be added to the heights.



Sample full size bed installation

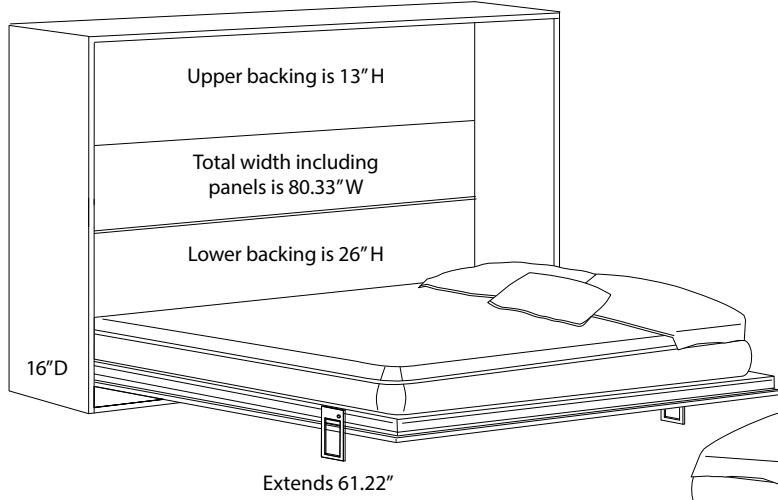


Sample queen size bed installation

## Elite Horizontal Wall Beds

### FULL

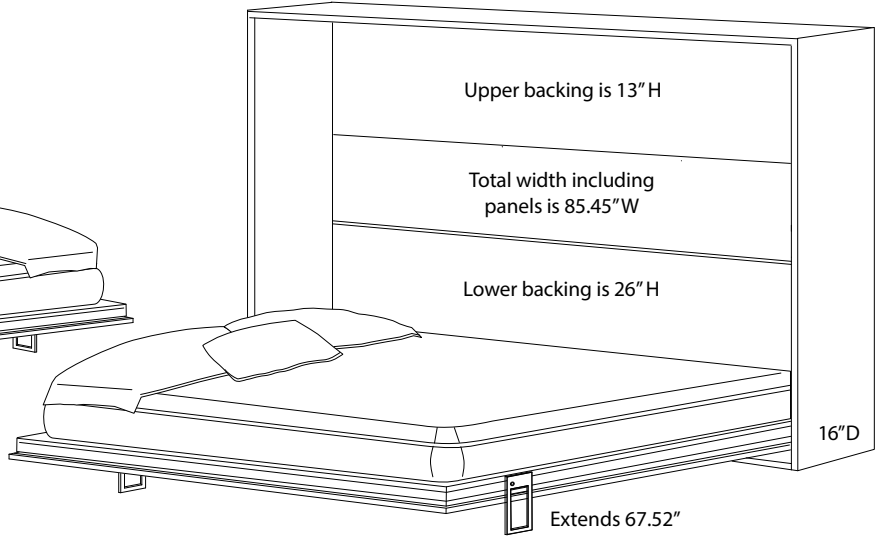
@ 61.22" H



Extends 61.22"

### QUEEN

@ 67.52" H



Extends 67.52"



Sample full size horizontal bed installation (TV installed by ABT)



Sample queen size horizontal bed installation



### Elite Wall Bed Operation

The wall bed opens and stops about 5% of the way. This is a safety feature to confirm that you want the wall bed to open. Simply pull on the wall bed again. It will continue to open slowly and the legs extend out to touch the floor.

